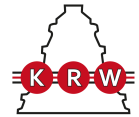


NU3964E.M3

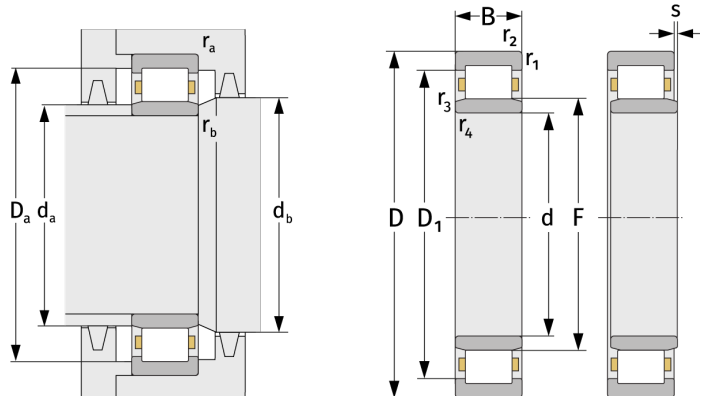
Cylindrical Roller Bearings (single row, with cage)



Details:

Main dimensions

d [mm]	320	D_1 [mm]	≈ 401.2
D [mm]	440	$r_{1,2}$ [mm]	3
B [mm]	90	$r_{3,4}$ [mm]	3
Weight [kg]	≈ 42	s [mm]	4.7
F [mm]	350		



Mating dimensions

$d_{a, \min}$ [mm]	332.4
$d_{a, \max}$ [mm]	346
$d_{b, \min}$ [mm]	354
$D_{a, \max}$ [mm]	427.6
$r_{a, \max}$ [mm]	2.5
$r_{b, \max}$ [mm]	2.5

Calculation data

C [kN]	1250
C_0 [kN]	2560
C_u [kN]	238
n_{th} [min^{-1}]	894
n_g [min^{-1}]	1800