

NU40/530S.M

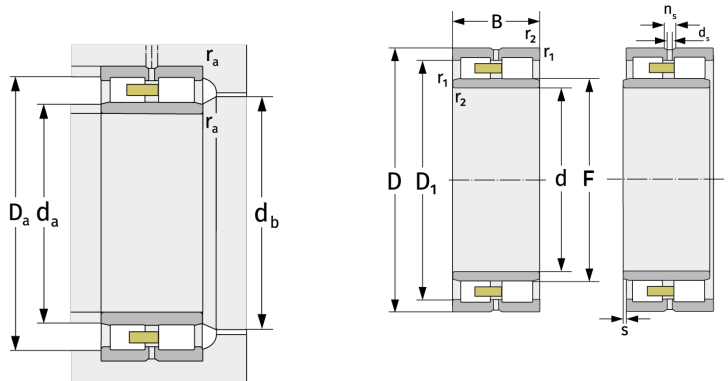
Cylindrical Roller Bearings (double row, with cage)



Details:

Main dimensions

d [mm]	530	D_1 [mm]	≈ 693.4
D [mm]	780	d_s [mm]	9.5
B [mm]	250	n_s [mm]	17.7
Weight [kg]	≈ 416	$r_{1,2}$ [mm]	6
F [mm]	591	s [mm]	9.9



Mating dimensions		Calculation data	
$d_{a, \min}$ [mm]	553	C [kN]	5500
$d_{a, \max}$ [mm]	587	C_0 [kN]	12600
$d_{b, \min}$ [mm]	595	C_u [kN]	1010
$D_{a, \max}$ [mm]	757	$n_{G, \text{Fett}}$ [min^{-1}]	840
$r_{a, \max}$ [mm]	5	$n_{G, \text{Öl-Luft}}$ [min^{-1}]	990