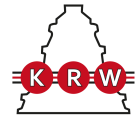


NU417M3

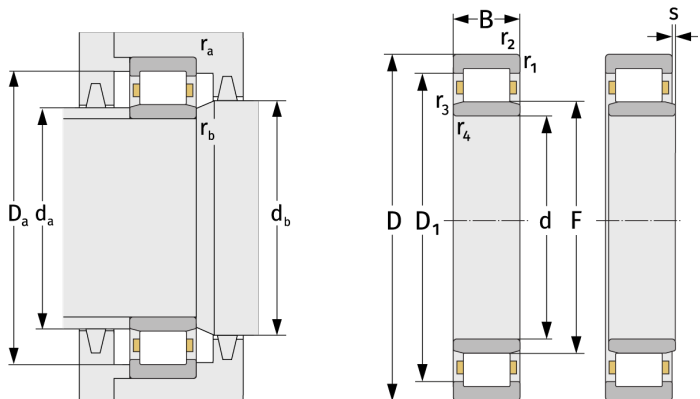
Cylindrical Roller Bearings (single row, with cage)



Details:

Main dimensions

d [mm]	85	D_1 [mm]	≈ 164.2
D [mm]	210	$r_{1,2}$ [mm]	4
B [mm]	52	$r_{3,4}$ [mm]	4
Weight [kg]	≈ 9.61	s [mm]	2.8
F [mm]	113		



Mating dimensions

$d_{a, \min}$ [mm]	105
$d_{a, \max}$ [mm]	111
$d_{b, \min}$ [mm]	115
$D_{a, \max}$ [mm]	190
$r_{a, \max}$ [mm]	3
$r_{b, \max}$ [mm]	3

Calculation data

C [kN]	366
C_0 [kN]	396
C_u [kN]	48.4
n_{th} [min^{-1}]	3729
n_g [min^{-1}]	5000