

# NU60/600M3

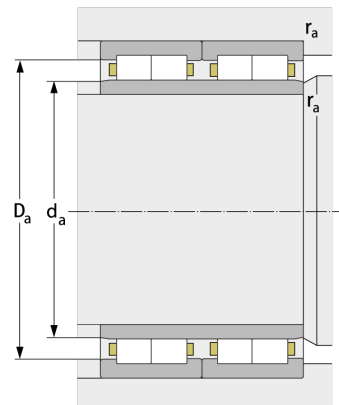
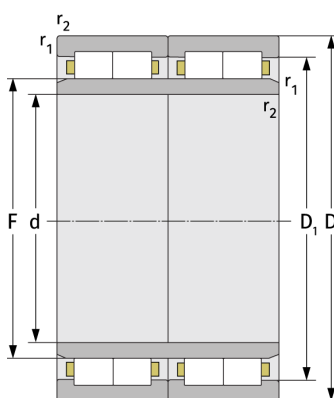
Cylindrical Roller Bearings (multi row, with cage)



## Details:

### Main dimensions

d [mm]	600	$D_1$ [mm]	$\approx 772.4$
D [mm]	870	$r_{1,2}$ [mm]	6
B [mm]	488	$r_{3,4}$ [mm]	6
Weight [kg]	$\approx 1004$	s [mm]	12
F [mm]	670		



### Mating dimensions

$d_{a, \min}$  [mm]

665

### Calculation data

C [kN]

10500

$D_{a, \max}$  [mm]

847

$C_0$  [kN]

29800

$r_{a, \max}$  [mm]

5

$C_u$  [kN]

2296

$r_{b, \max}$  [mm]

5

$n_g$  [ $\text{min}^{-1}$ ]

640