

NU60/630M3

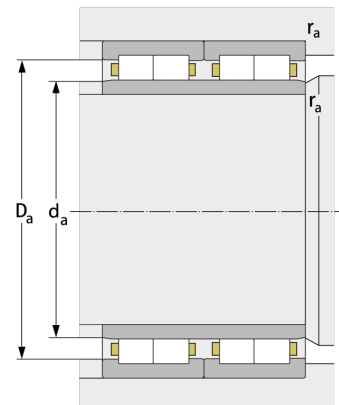
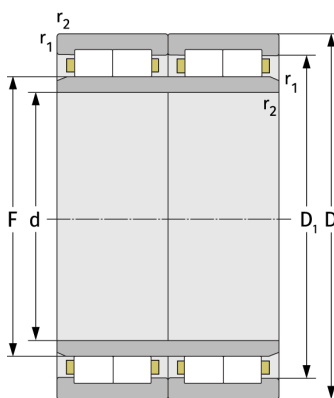
Cylindrical Roller Bearings (multi row, with cage)



Details:

Main dimensions

d [mm]	630	D ₁ [mm]	≈ 820
D [mm]	920	r _{1,2} [mm]	7.5
B [mm]	515	r _{3,4} [mm]	7.5
Weight [kg]	≈ 1177	s [mm]	12
F [mm]	700		



Mating dimensions

d_{a,min} [mm]

698

Calculation data

C [kN]

12100

D_{a,max} [mm]

892

C₀ [kN]

32600

r_{a,max} [mm]

6

C_u [kN]

2473

r_{b,max} [mm]

6

n_g [min⁻¹]

600