

# NU60/710M3

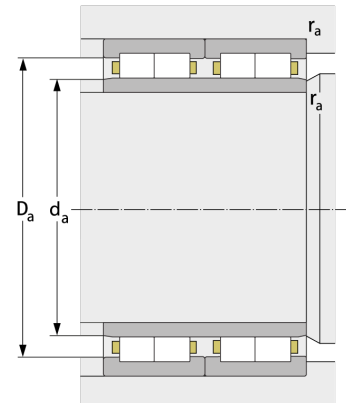
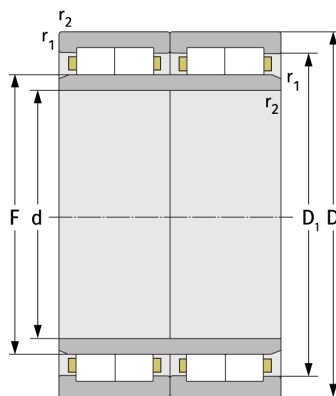
Cylindrical Roller Bearings (multi row, with cage)



## Details:

### Main dimensions

d [mm]	710	$D_1$ [mm]	≈ 918
D [mm]	1030	$r_{1,2}$ [mm]	7.5
B [mm]	580	$r_{3,4}$ [mm]	7.5
Weight [kg]	≈ 1655	s [mm]	13
F [mm]	790		



### Mating dimensions

$d_{a, \min}$ [mm]	785
$D_{a, \max}$ [mm]	1002
$r_{a, \max}$ [mm]	6
$r_{b, \max}$ [mm]	6

### Calculation data

C [kN]	14600
$C_0$ [kN]	41200
$C_u$ [kN]	3024
$n_g$ [ $\text{min}^{-1}$ ]	510