

NU6030M3

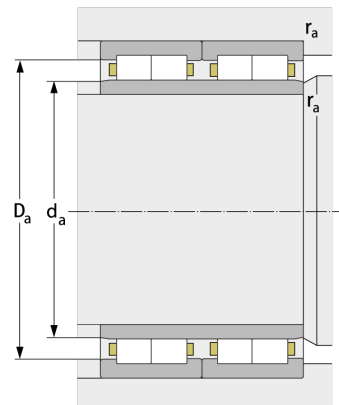
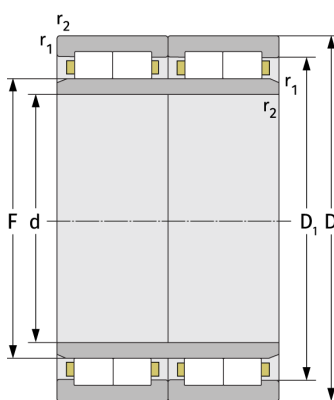
Cylindrical Roller Bearings (multi row, with cage)



Details:

Main dimensions

d [mm]	150	D_1 [mm]	≈ 198.3
D [mm]	225	$r_{1,2}$ [mm]	2.1
B [mm]	136	$r_{3,4}$ [mm]	2.1
Weight [kg]	≈ 19.3	s [mm]	4
F [mm]	169.5		



Mating dimensions

$d_{a, \min}$ [mm]

167

Calculation data

C [kN]

845

$D_{a, \max}$ [mm]

215

C_0 [kN]

1840

$r_{a, \max}$ [mm]

2.1

C_u [kN]

209

$r_{b, \max}$ [mm]

2.1

n_g [min^{-1}]

3100