

NU6036M3

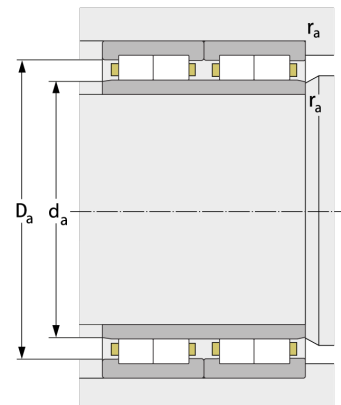
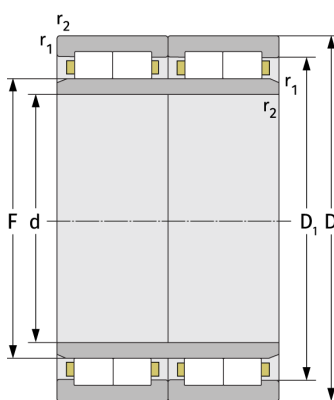
Cylindrical Roller Bearings (multi row, with cage)



Details:

Main dimensions

d [mm]	180	D_1 [mm]	≈ 247
D [mm]	280	$r_{1,2}$ [mm]	2.1
B [mm]	180	$r_{3,4}$ [mm]	2.1
Weight [kg]	≈ 41.7	s [mm]	5
F [mm]	207		



Mating dimensions

$d_{a, \min}$ [mm]

204

Calculation data

C [kN]

1450

$D_{a, \max}$ [mm]

270

C_0 [kN]

3110

$r_{a, \max}$ [mm]

2.1

C_u [kN]

333

$r_{b, \max}$ [mm]

2.1

n_g [min^{-1}]

2500