

# NU6068M3

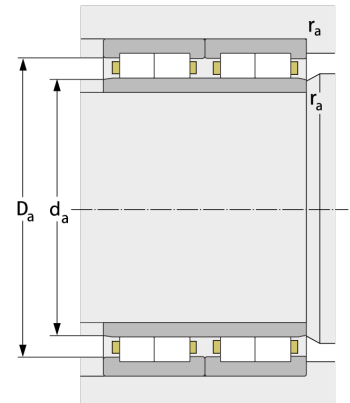
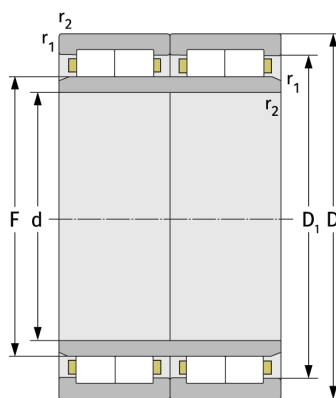
Cylindrical Roller Bearings (multi row, with cage)



## Details:

### Main dimensions

d [mm]	340	$D_1$ [mm]	≈ 457
D [mm]	520	$r_{1,2}$ [mm]	5
B [mm]	325	$r_{3,4}$ [mm]	5
Weight [kg]	≈ 256	s [mm]	9
F [mm]	385		



### Mating dimensions

$d_{a, \min}$ [mm]	381
$D_{a, \max}$ [mm]	502
$r_{a, \max}$ [mm]	4
$r_{b, \max}$ [mm]	4

### Calculation data

C [kN]	4550
$C_0$ [kN]	11000
$C_u$ [kN]	988
$n_g$ [ $\text{min}^{-1}$ ]	1300