

Q240MPB

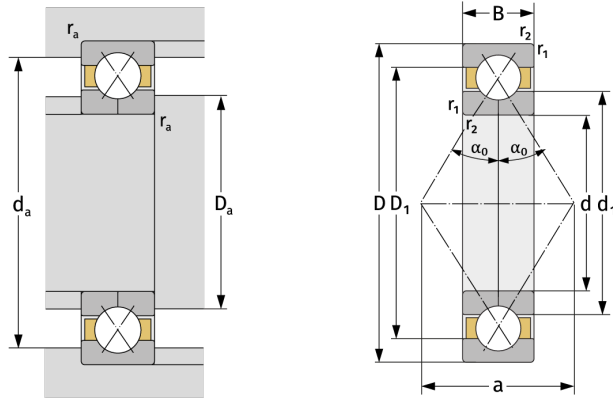
Four Point Contact Ball Bearings (metric)



Details:

Main dimensions

d [mm]	200	D_1 [mm]	≈ 301.7
D [mm]	360	$r_{1,2}$ [mm]	4
B [mm]	58	α_0 [°]	23
Weight [kg]	≈ 29.3	a [mm]	≈ 119
d_1 [mm]	≈ 258.3		



Mating dimensions

$d_{a, \min}$ [mm]	217
$D_{a, \max}$ [mm]	343
$r_{a, \max}$ [mm]	3

Calculation data

C [kN]	585
C_0 [kN]	945
C_u [kN]	27.9
n_{th} [min ⁻¹]	1539
n_g [min ⁻¹]	3000