

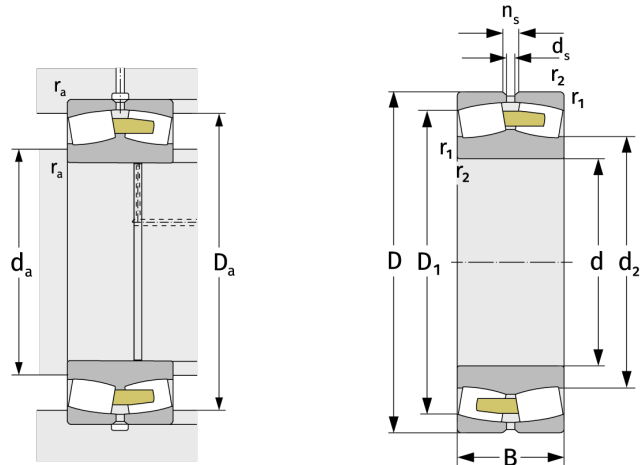
23984EA.M

Spherical Roller Bearings (metric)



Details:

Main dimensions			
d [mm]	420	D_1 [mm]	≈ 519.8
D [mm]	560	d_s [mm]	9.5
B [mm]	106	n_s [mm]	17.7
Weight [kg]	≈ 74.3	$r_{1,2}$ [mm]	4
d_2 [mm]	≈ 468.8		



Mating dimensions		Calculation data	
$d_{a, \min}$ [mm]	435	C [kN]	1870
$D_{a, \max}$ [mm]	545.4	C_0 [kN]	4370
$r_{a, \max}$ [mm]	3	C_u [kN]	301
		n_{th} [min^{-1}]	669
		n_g [min^{-1}]	1300
		e	0,16
		Y_1	4,16
		Y_2	6,2
		Y_0	4,07