

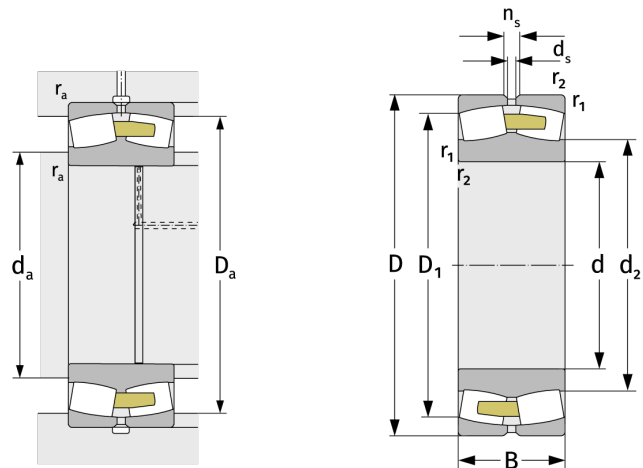
24084EA.M

Spherical Roller Bearings (metric)



Details:

Main dimensions			
d [mm]	420	D ₁ [mm]	≈ 546.6
D [mm]	620	d _s [mm]	12.5
B [mm]	200	n _s [mm]	23.5
Weight [kg]	≈ 212	r _{1,2} [mm]	5
d ₂ [mm]	≈ 478.3		



Mating dimensions		Calculation data	
d _{a,min} [mm]	438	C [kN]	3880
D _{a,max} [mm]	602	C ₀ [kN]	8450
r _{a,max} [mm]	4	C _u [kN]	573
		n _{th} [min ⁻¹]	472
		n _g [min ⁻¹]	910
		e	0,29
		Y ₁	2,33
		Y ₂	3,47
		Y ₀	2,28