

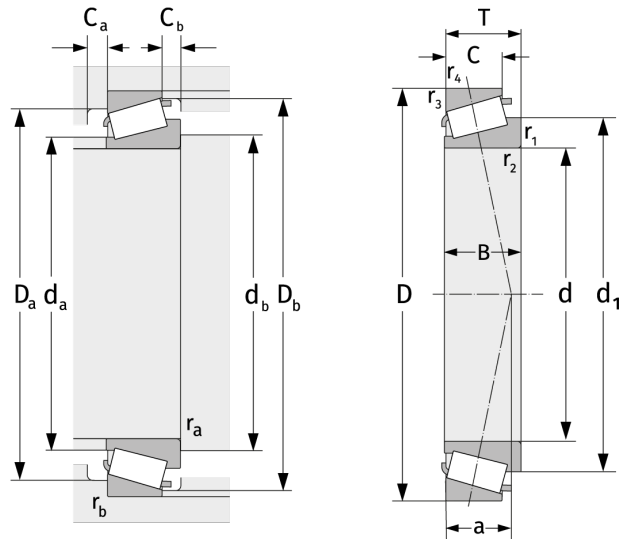
30238

Tapered Roller Bearings (single row, metric)



Details:

Main dimensions			
d [mm]	190	B [mm]	55
D [mm]	340	d ₁ [mm]	≈ 257.8
T [mm]	60	r _{1,2} [mm]	5
Weight [kg]	≈ 21	r _{3,4} [mm]	4
C [mm]	46	a [mm]	≈ 66.4



Mating dimensions		Calculation data	
d _{a, max} [mm]	224	C [kN]	745
d _{b, min} [mm]	207	C ₀ [kN]	1060
D _{a, min} [mm]	298	C _u [kN]	97.6
D _{a, max} [mm]	322	n _{th} [min ⁻¹]	1326
D _{b, min} [mm]	318	n _g [min ⁻¹]	1900
C _{a, min} [mm]	9	e	0,44
C _{b, min} [mm]	14	Y	1,38
r _{a, max} [mm]	5	Y ₀	0,76
r _{b, max} [mm]	4		