

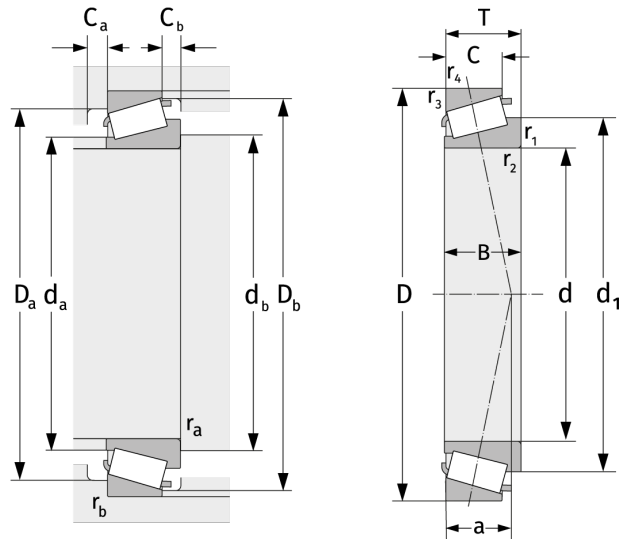
# 30248

Tapered Roller Bearings (single row, metric)



## Details:

Main dimensions			
d [mm]	240	B [mm]	72
D [mm]	440	$d_1$ [mm]	$\approx 332.8$
T [mm]	79	$r_{1,2}$ [mm]	5
Weight [kg]	$\approx 47$	$r_{3,4}$ [mm]	4
C [mm]	60	a [mm]	$\approx 85.4$



Mating dimensions		Calculation data	
$d_{a, \max}$ [mm]	285	C [kN]	1200
$d_{b, \min}$ [mm]	257	$C_0$ [kN]	1760
$D_{a, \min}$ [mm]	383	$C_u$ [kN]	152
$D_{a, \max}$ [mm]	420	$n_{th}$ [min <sup>-1</sup> ]	951
$D_{b, \min}$ [mm]	410	$n_g$ [min <sup>-1</sup> ]	1500
$C_{a, \min}$ [mm]	10	e	0,44
$C_{b, \min}$ [mm]	19	Y	1,38
$r_{a, \max}$ [mm]	5	$Y_0$	0,76
$r_{b, \max}$ [mm]	4		