

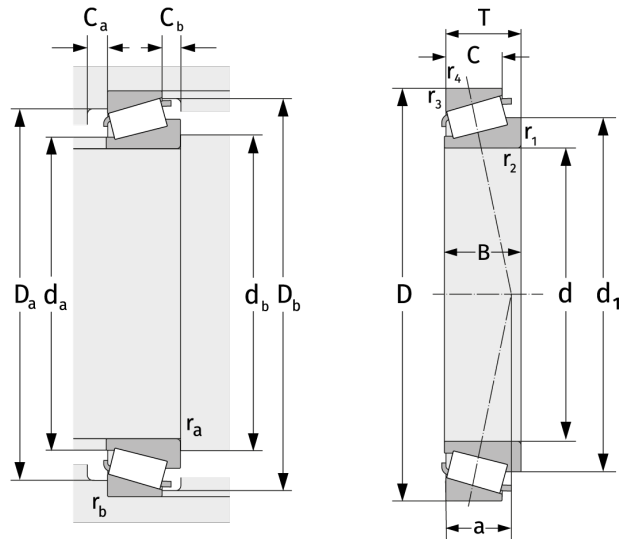
30338

Tapered Roller Bearings (single row, metric)



Details:

Main dimensions			
d [mm]	190	B [mm]	78
D [mm]	400	d ₁ [mm]	≈ 278.4
T [mm]	86	r _{1,2} [mm]	6
Weight [kg]	≈ 45.3	r _{3,4} [mm]	5
C [mm]	65	a [mm]	≈ 69.4



Mating dimensions		Calculation data	
d _{a,max} [mm]	240	C [kN]	1180
d _{b,min} [mm]	210	C ₀ [kN]	1530
D _{a,min} [mm]	341	C _u [kN]	138
D _{a,max} [mm]	378	n _{th} [min ⁻¹]	1207
D _{b,min} [mm]	364	n _g [min ⁻¹]	1700
C _{a,min} [mm]	10	e	0,35
C _{b,min} [mm]	21	Y	1,74
r _{a,max} [mm]	6	Y ₀	0,96
r _{b,max} [mm]	5		