

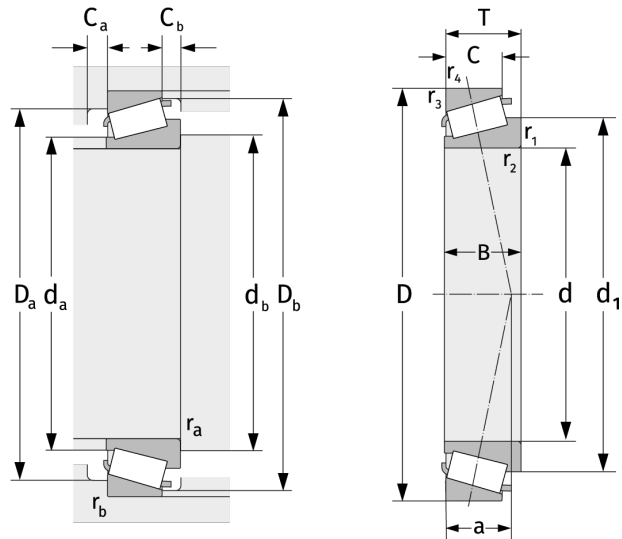
32040X

Tapered Roller Bearings (single row, metric)



Details:

Main dimensions			
d [mm]	200	B [mm]	70
D [mm]	310	d ₁ [mm]	≈ 254.9
T [mm]	70	r _{1,2} [mm]	3
Weight [kg]	≈ 18.7	r _{3,4} [mm]	2.5
C [mm]	53	a [mm]	≈ 67



Mating dimensions		Calculation data	
d _{a,max} [mm]	221	C [kN]	765
d _{b,min} [mm]	212	C ₀ [kN]	1380
D _{a,min} [mm]	273	C _u [kN]	128
D _{a,max} [mm]	298	n _{th} [min ⁻¹]	1291
D _{b,min} [mm]	297	n _g [min ⁻¹]	2000
C _{a,min} [mm]	11	e	0,43
C _{b,min} [mm]	17	Y	1,39
r _{a,max} [mm]	3	Y ₀	0,77
r _{b,max} [mm]	2.5		