

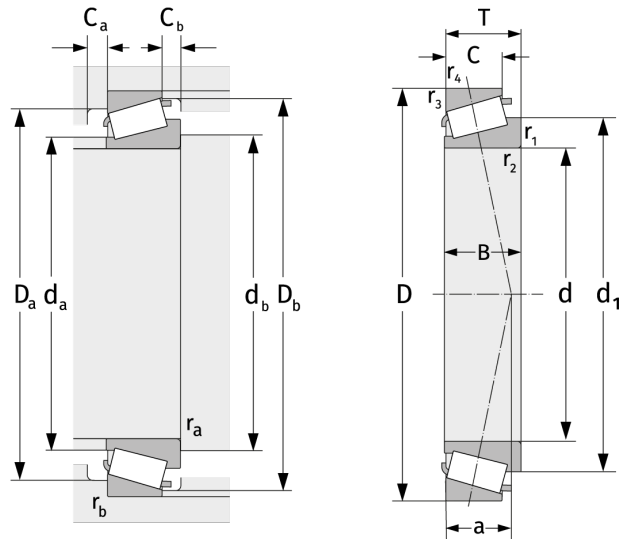
# 32238

Tapered Roller Bearings (single row, metric)



## Details:

Main dimensions			
d [mm]	190	B [mm]	92
D [mm]	340	d <sub>1</sub> [mm]	≈ 262
T [mm]	97	r <sub>1,2</sub> [mm]	5
Weight [kg]	≈ 36	r <sub>3,4</sub> [mm]	4
C [mm]	75	a [mm]	≈ 80.6



Mating dimensions		Calculation data	
$d_{a, \max}$ [mm]	216	C [kN]	1180
$d_{b, \min}$ [mm]	207	$C_0$ [kN]	1900
$D_{a, \min}$ [mm]	286	$C_u$ [kN]	175
$D_{a, \max}$ [mm]	322	$n_{th}$ [min <sup>-1</sup> ]	1120
$D_{b, \min}$ [mm]	323	$n_g$ [min <sup>-1</sup> ]	2000
$C_{a, \min}$ [mm]	10	e	0,44
$C_{b, \min}$ [mm]	22	Y	1,38
$r_{a, \max}$ [mm]	5	$Y_0$	0,76
$r_{b, \max}$ [mm]	4		