

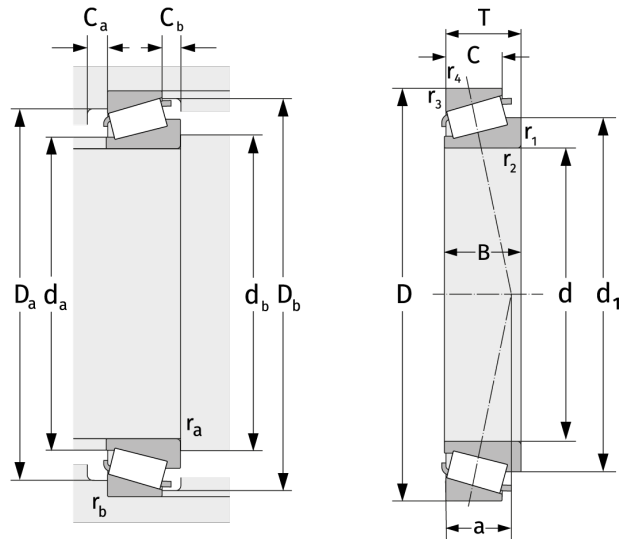
32260

Tapered Roller Bearings (single row, metric)



Details:

Main dimensions			
d [mm]	300	B [mm]	140
D [mm]	540	d ₁ [mm]	≈ 413.3
T [mm]	149	r _{1,2} [mm]	6
Weight [kg]	≈ 140	r _{3,4} [mm]	5
C [mm]	115	a [mm]	≈ 124.6



Mating dimensions		Calculation data	
d _{a,max} [mm]	346	C [kN]	2730
d _{b,min} [mm]	320	C ₀ [kN]	4660
D _{a,min} [mm]	453	C _u [kN]	385
D _{a,max} [mm]	517	n _{th} [min ⁻¹]	581
D _{b,min} [mm]	510	n _g [min ⁻¹]	1200
C _{a,min} [mm]	16	e	0,43
C _{b,min} [mm]	34	Y	1,39
r _{a,max} [mm]	6	Y ₀	0,77
r _{b,max} [mm]	5		