

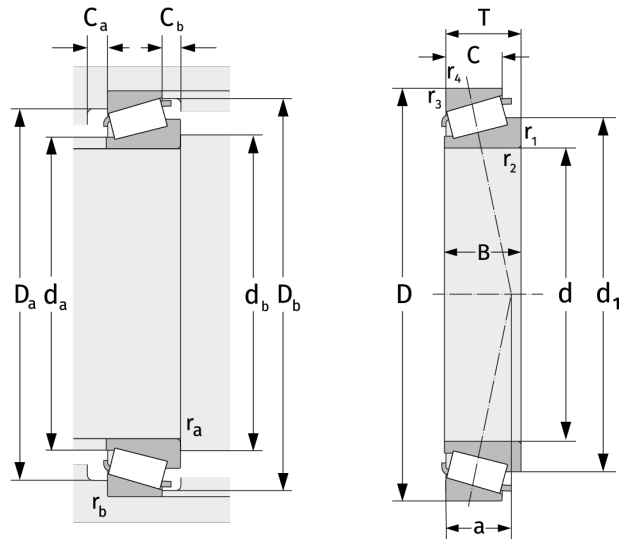
# 32944

Tapered Roller Bearings (single row, metric)



## Details:

Main dimensions			
d [mm]	220	B [mm]	51
D [mm]	300	d <sub>1</sub> [mm]	≈ 259.1
T [mm]	51	r <sub>1,2</sub> [mm]	3
Weight [kg]	≈ 10	r <sub>3,4</sub> [mm]	2.5
C [mm]	39	a [mm]	≈ 59.3



Mating dimensions		Calculation data	
d <sub>a,max</sub> [mm]	235	C [kN]	520
d <sub>b,min</sub> [mm]	232	C <sub>0</sub> [kN]	1040
D <sub>a,min</sub> [mm]	275	C <sub>u</sub> [kN]	96.4
D <sub>a,max</sub> [mm]	288	n <sub>th</sub> [min <sup>-1</sup> ]	1249
D <sub>b,min</sub> [mm]	290	n <sub>g</sub> [min <sup>-1</sup> ]	2000
C <sub>a,min</sub> [mm]	10	e	0,43
C <sub>b,min</sub> [mm]	12	Y	1,41
r <sub>a,max</sub> [mm]	3	Y <sub>0</sub>	0,78
r <sub>b,max</sub> [mm]	2.5		