

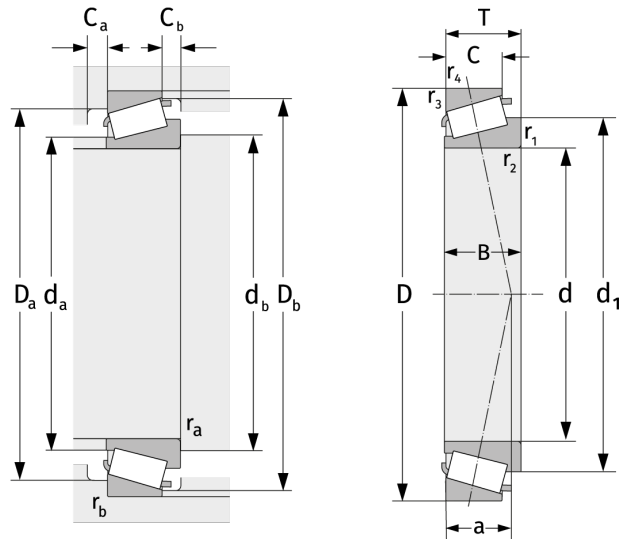
32972

Tapered Roller Bearings (single row, metric)



Details:

Main dimensions			
d [mm]	360	B [mm]	76
D [mm]	480	d ₁ [mm]	≈ 421
T [mm]	76	r _{1,2} [mm]	4
Weight [kg]	≈ 36.5	r _{3,4} [mm]	3
C [mm]	57	a [mm]	≈ 96.6



Mating dimensions		Calculation data	
d _{a,max} [mm]	380	C [kN]	1130
d _{b,min} [mm]	374	C ₀ [kN]	2540
D _{a,min} [mm]	439	C _u [kN]	209
D _{a,max} [mm]	466	n _{th} [min ⁻¹]	638
D _{b,min} [mm]	466	n _g [min ⁻¹]	1200
C _{a,min} [mm]	14	e	0,46
C _{b,min} [mm]	19	Y	1,31
r _{a,max} [mm]	4	Y ₀	0,72
r _{b,max} [mm]	3		