

H31/900

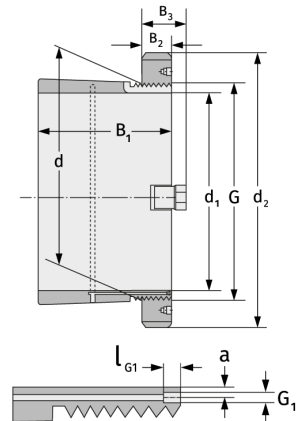
Clamping Sleeves



Details:

Main dimensions

d [mm]	900	B ₃ [mm]	154
Weight [kg]	≈ 677	G [mm]	Tr900x
d ₁ [mm]	850		7
d ₂ [mm]	1120	G ₁ [mm]	G1/8
B ₁ [mm]	557	l _{G1} [mm]	12
B ₂ [mm]	125	a [mm]	10



Mating dimensions

Containing components

Groove / shaft nut

HM31/900

Securing

MS31/900