

HM30/850

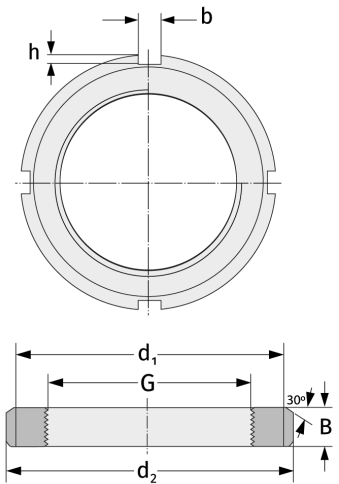
Grooved Nuts



Details:

Main dimensions

Weight [kg]	≈ 118	B [mm]	90
G [mm]	Tr850x	b [mm]	60
	7	h [mm]	25
d ₁ [mm]	925		
d ₂ [mm]	980		



Mating dimensions

Containing components

Securing

MS30/850