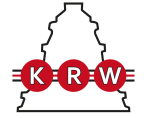


HM3044

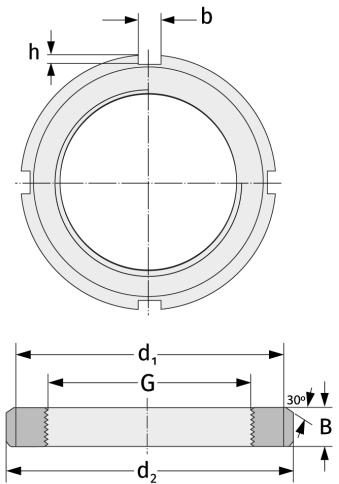
Grooved Nuts



Details:

Main dimensions

Weight [kg]	≈ 3.09	B [mm]	30
G [mm]	Tr220x 4	b [mm]	20
		h [mm]	9
d ₁ [mm]	242		
d ₂ [mm]	260		



Mating dimensions

Containing components

Securing

MS3044