

# HM3048

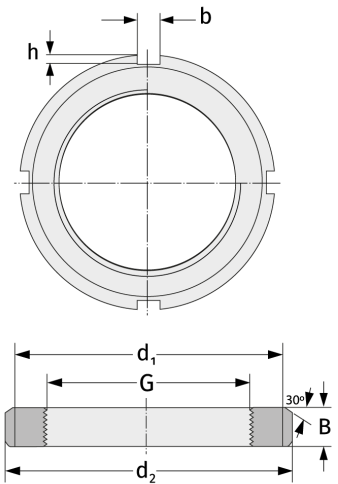
Grooved Nuts



## Details:

### Main dimensions

Weight [kg]	≈ 5.16	B [mm]	34
G [mm]	Tr240x 4	b [mm]	20
		h [mm]	10
d <sub>1</sub> [mm]	270		
d <sub>2</sub> [mm]	290		



### Mating dimensions

### Containing components

Securing

MS3048