

HM3068

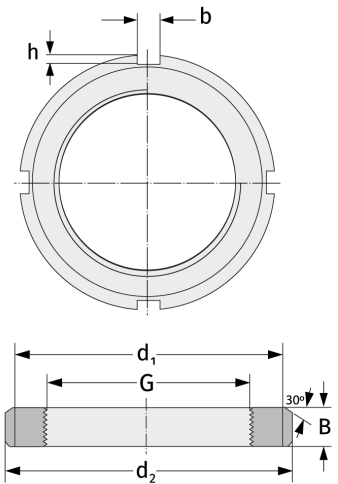
Grooved Nuts



Details:

Main dimensions

| | | | |
|---------------------|---------|--------|----|
| Weight [kg] | ≈ 11.7 | B [mm] | 45 |
| G [mm] | Tr340x5 | b [mm] | 24 |
| | | h [mm] | 12 |
| d ₁ [mm] | 376 | | |
| d ₂ [mm] | 400 | | |



Mating dimensions

Containing components

Securing

MS3064