

# HM31/800

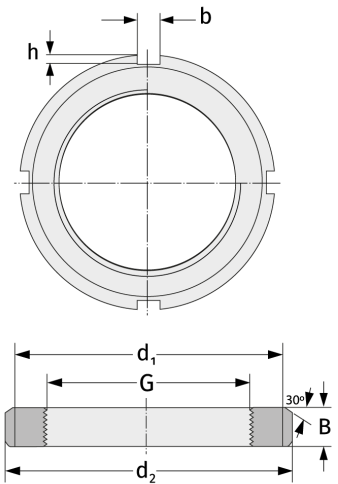
Grooved Nuts



## Details:

### Main dimensions

Weight [kg]	≈ 221	B [mm]	112
G [mm]	Tr800x 7	b [mm]	60
		h [mm]	34
d <sub>1</sub> [mm]	925		
d <sub>2</sub> [mm]	1000		



### Mating dimensions

### Containing components

Securing

MS31/750