

HM3168

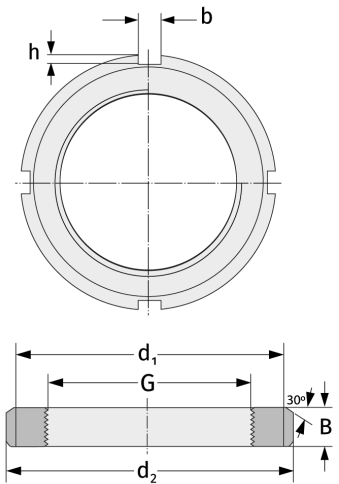
Grooved Nuts



Details:

Main dimensions

Weight [kg]	≈ 23	B [mm]	55
G [mm]	Tr340x 5	b [mm]	28
		h [mm]	15
d ₁ [mm]	400		
d ₂ [mm]	440		



Mating dimensions

Containing components

Securing

MS3168