

HM3188

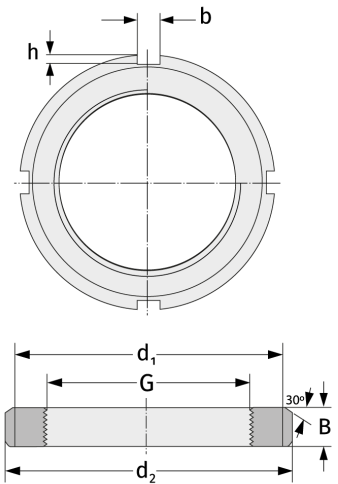
Grooved Nuts



Details:

Main dimensions

Weight [kg]	≈ 45.1	B [mm]	70
G [mm]	Tr440x 5	b [mm]	36
		h [mm]	20
d_1 [mm]	510		
d_2 [mm]	560		



Mating dimensions

Containing components

Securing

MS3188