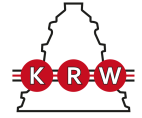


KM10

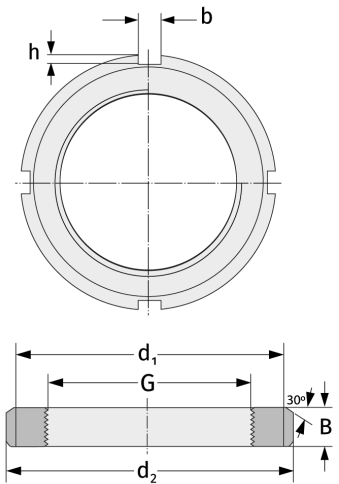
Grooved Nuts



Details:

Main dimensions

Weight [kg]	≈ 0.148	B [mm]	11
G [mm]	M50x1.5	b [mm]	6
		h [mm]	2.5
d ₁ [mm]	61		
d ₂ [mm]	70		



Mating dimensions

Containing components

Securing

MB10