

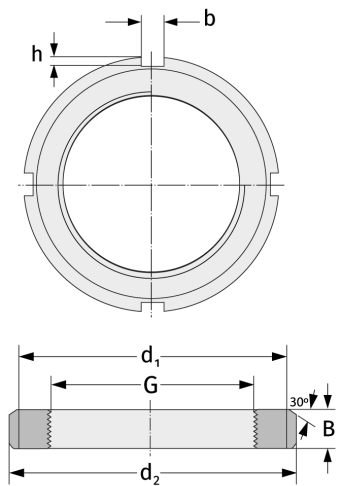
# KM2

Grooved Nuts



## Details:

Main dimensions			
Weight [kg]	≈ 0.01	B [mm]	5
G [mm]	M15x1	b [mm]	4
d <sub>1</sub> [mm]	21	h [mm]	3
d <sub>2</sub> [mm]	25		



## Mating dimensions

## Containing components

Securing

MB2