

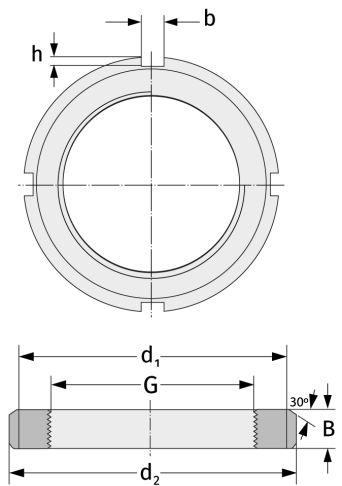
KM21

Grooved Nuts



Details:

Main dimensions			
Weight [kg]	≈ 0.845	B [mm]	18
G [mm]	M105x 2	b [mm]	12
		h [mm]	5
d ₁ [mm]	126		
d ₂ [mm]	140		



Mating dimensions

Containing components

Securing	MB21
----------	------