

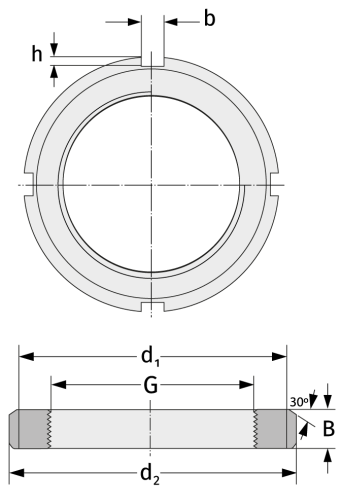
# KM22

Grooved Nuts



## Details:

Main dimensions			
Weight [kg]	≈ 0.965	B [mm]	19
G [mm]	M110x 2	b [mm]	12
		h [mm]	5
d <sub>1</sub> [mm]	133		
d <sub>2</sub> [mm]	145		



## Mating dimensions

## Containing components

Securing

MB22