

KM9

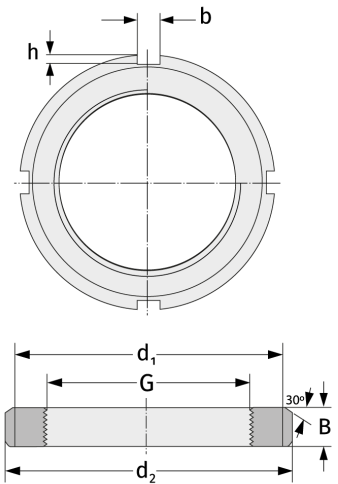
Grooved Nuts



Details:

Main dimensions

| | | | |
|---------------------|---------|--------|-----|
| Weight [kg] | ≈ 0.119 | B [mm] | 10 |
| G [mm] | M45x1.5 | b [mm] | 6 |
| | | h [mm] | 2.5 |
| d ₁ [mm] | 56 | | |
| d ₂ [mm] | 65 | | |



Mating dimensions

Containing components

Securing

MB9