

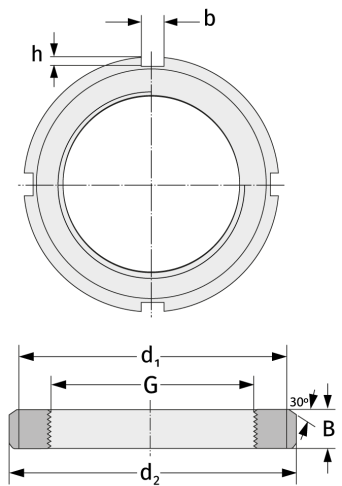
# KML28

Grooved Nuts



## Details:

Main dimensions			
Weight [kg]	≈ 0.99	B [mm]	22
G [mm]	M140x 2	b [mm]	12
		h [mm]	5
d <sub>1</sub> [mm]	155		
d <sub>2</sub> [mm]	165		



## Mating dimensions

## Containing components

Securing	MBL28
----------	-------