

# KML34

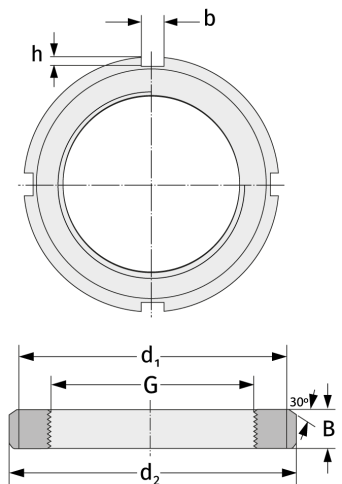
Grooved Nuts



## Details:

### Main dimensions

Weight [kg]	≈ 1.72	B [mm]	26
G [mm]	M170x 3	b [mm]	16
		h [mm]	5
d <sub>1</sub> [mm]	190		
d <sub>2</sub> [mm]	200		



### Mating dimensions

### Containing components

Securing

MBL34