

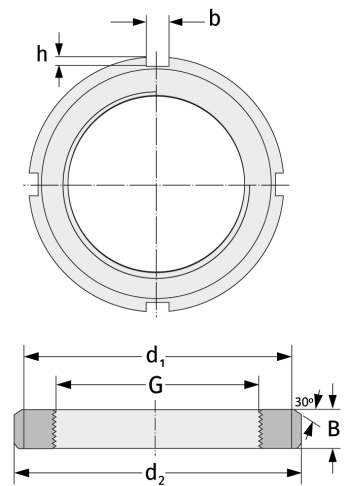
KML40

Grooved Nuts



Details:

Main dimensions			
Weight [kg]	≈ 2.98	B [mm]	29
G [mm]	M200x 3	b [mm]	18
		h [mm]	8
d ₁ [mm]	222		
d ₂ [mm]	240		



Mating dimensions

Containing components

Securing	MBL40
----------	-------