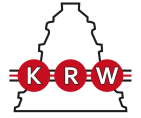


MB11

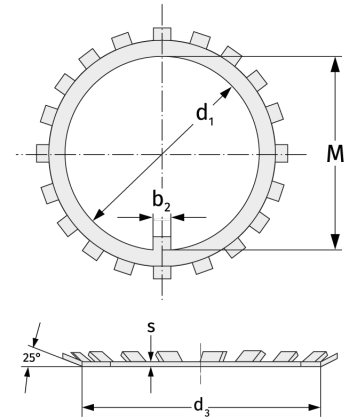
Safety Plates



Details:

Main dimensions

Weight [kg]	≈ 2	s [mm]	1.25
d_1 [mm]	55	b_1 [mm]	7
d_2 [mm]	81	b_2 [mm]	8
d_3 [mm]	67	M [mm]	52.5



Mating dimensions

Calculation data