

# MB5

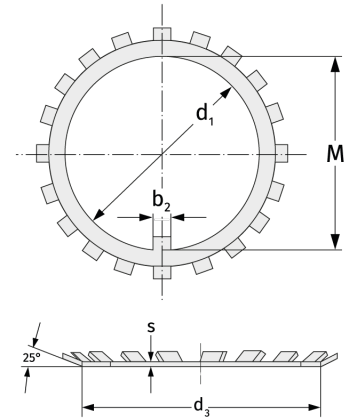
Safety Plates



## Details:

### Main dimensions

Weight [kg]	≈ 0.64	s [mm]	1.25
$d_1$ [mm]	25	$b_1$ [mm]	5
$d_2$ [mm]	42	$b_2$ [mm]	5
$d_3$ [mm]	32	M [mm]	23



### Mating dimensions

### Calculation data