

# MBL30

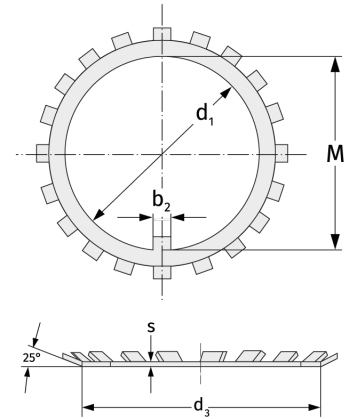
Safety Plates



## Details:

### Main dimensions

Weight [kg]	≈ 11.3	s [mm]	2
$d_1$ [mm]	150	$b_1$ [mm]	14
$d_2$ [mm]	180	$b_2$ [mm]	16
$d_3$ [mm]	170	M [mm]	145



### Mating dimensions

### Calculation data