

# N1820M3

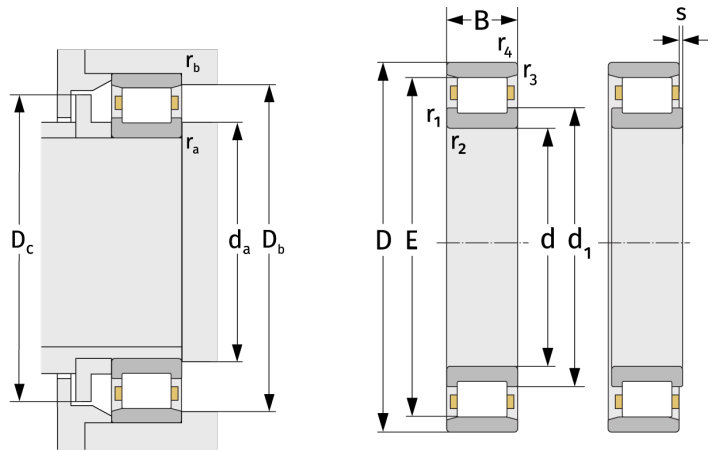
Cylindrical Roller Bearings (single row, with cage)



## Details:

### Main dimensions

d [mm]	100	d <sub>1</sub> [mm]	≈ 109.1
D [mm]	125	r <sub>1,2</sub> [mm]	1
B [mm]	13	r <sub>3,4</sub> [mm]	0.6
Weight [kg]	≈ 0.338	s [mm]	2.1
E [mm]	119.5		



### Mating dimensions

d <sub>a,min</sub> [mm]	104.6
D <sub>b,min</sub> [mm]	121
D <sub>c,max</sub> [mm]	117
r <sub>a,max</sub> [mm]	1
r <sub>b,max</sub> [mm]	0.6

### Calculation data

C [kN]	39.4
C <sub>0</sub> [kN]	63
C <sub>u</sub> [kN]	8.28
n <sub>th</sub> [min <sup>-1</sup> ]	3425
n <sub>g</sub> [min <sup>-1</sup> ]	6500