

N3148M3

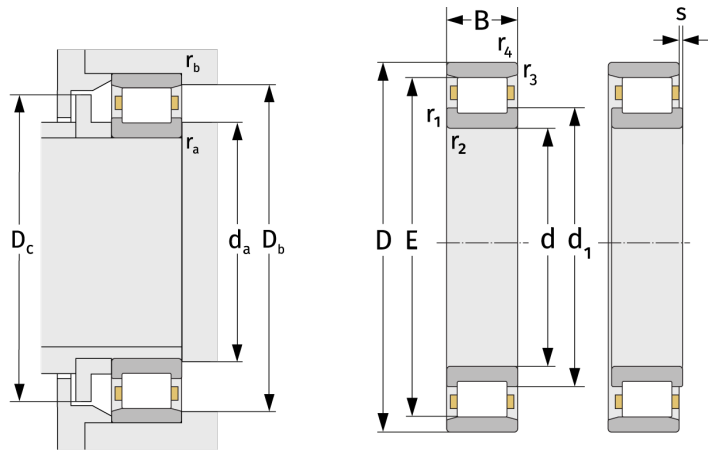
Cylindrical Roller Bearings (single row, with cage)



Details:

Main dimensions

d [mm]	240	d ₁ [mm]	≈ 296
D [mm]	400	r _{1,2} [mm]	4
B [mm]	128	r _{3,4} [mm]	4
Weight [kg]	≈ 65	s [mm]	12
E [mm]	368		



Mating dimensions

d _{a,min} [mm]	257
D _{b,min} [mm]	371
D _{c,max} [mm]	362
r _{a,max} [mm]	3
r _{b,max} [mm]	3

Calculation data

C [kN]	1700
C ₀ [kN]	2820
C _u [kN]	274
n _{th} [min ⁻¹]	1065
n _g [min ⁻¹]	2100