

# NCF2222V

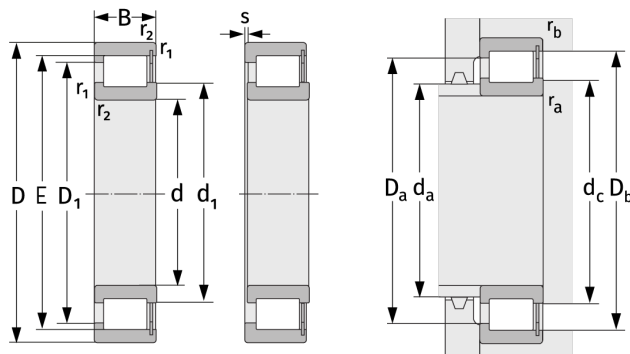
Cylindrical Roller Bearings (full complement, single row)



## Details:

### Main dimensions

d [mm]	110	d <sub>1</sub> [mm]	≈ 137.1
D [mm]	200	D <sub>1</sub> [mm]	≈ 167.06
B [mm]	53	r <sub>1,2</sub> [mm]	2.1
Weight [kg]	≈ 7.24	r <sub>3,4</sub> [mm]	2.1
E [mm]	177.06	s [mm]	4



Mating dimensions		Calculation data	
d <sub>a,min</sub> [mm]	122	C [kN]	443
d <sub>c,min</sub> [mm]	136	C <sub>0</sub> [kN]	605
D <sub>a,max</sub> [mm]	188	C <sub>u</sub> [kN]	73.1
D <sub>b,max</sub> [mm]	188	n <sub>th</sub> [min <sup>-1</sup> ]	1647
r <sub>a,max</sub> [mm]	2.1	n <sub>g</sub> [min <sup>-1</sup> ]	2200
r <sub>b,max</sub> [mm]	2.1		