

NJ10/630M3

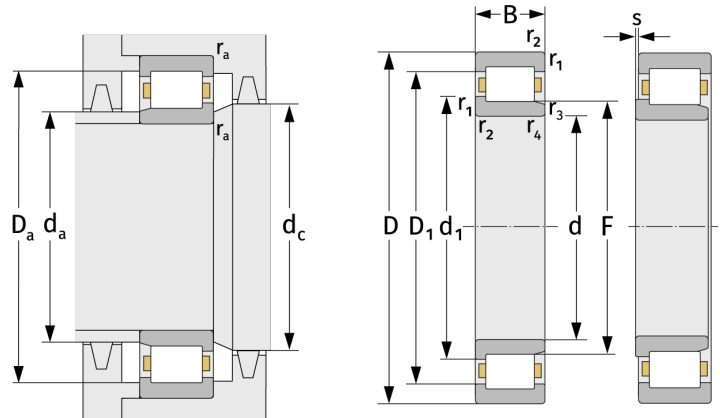
Cylindrical Roller Bearings (single row, with cage)



Details:

Main dimensions

d [mm]	630	d ₁ [mm]	≈ 730
D [mm]	920	D ₁ [mm]	≈ 820
B [mm]	128	r _{1,2} [mm]	7.5
Weight [kg]	≈ 292	r _{3,4} [mm]	7.5
F [mm]	700	s [mm]	15



Mating dimensions		Calculation data	
d _{a, min} [mm]	658	C [kN]	3280
d _{a, max} [mm]	694	C ₀ [kN]	6150
d _{b, min} [mm]	706	C _u [kN]	464
d _{c, min} [mm]	736	n _{th} [min ⁻¹]	513
D _{a, max} [mm]	892	n _g [min ⁻¹]	750
r _{a, max} [mm]	6		