

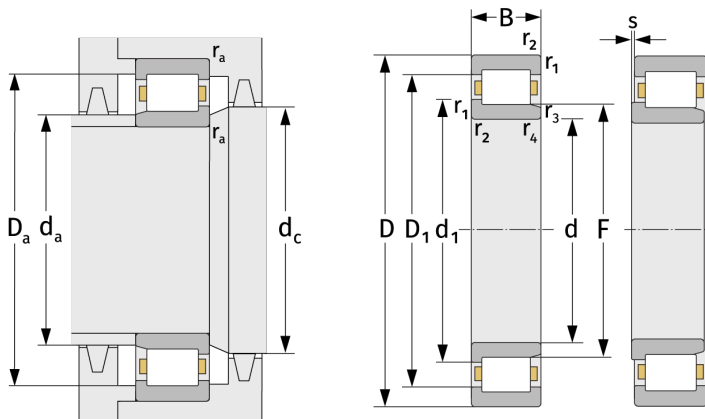
NJ18/600M3

Cylindrical Roller Bearings (single row, with cage)



Details:

Main dimensions			
d [mm]	600	d ₁ [mm]	≈ 649
D [mm]	730	D ₁ [mm]	≈ 685
B [mm]	60	r _{1,2} [mm]	3
Weight [kg]	≈ 51.9	r _{3,4} [mm]	3
F [mm]	637	s [mm]	9



Mating dimensions		Calculation data	
d _{a, min} [mm]	612.4	C [kN]	890
d _{a, max} [mm]	632	C ₀ [kN]	2120
d _{b, min} [mm]	642	C _u [kN]	168
d _{c, min} [mm]	654	n _{th} [min ⁻¹]	610
D _{a, max} [mm]	717.6	n _g [min ⁻¹]	900
r _{a, max} [mm]	2.5		