

NJ1840M3

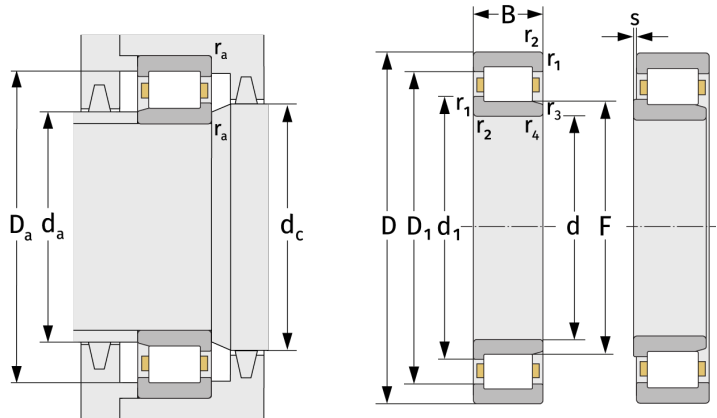
Cylindrical Roller Bearings (single row, with cage)



Details:

Main dimensions

d [mm]	200	d ₁ [mm]	≈ 218.2
D [mm]	250	D ₁ [mm]	≈ 233.8
B [mm]	24	r _{1,2} [mm]	1.5
Weight [kg]	≈ 2.66	r _{3,4} [mm]	1.1
F [mm]	213	s [mm]	3.8



Mating dimensions		Calculation data	
d _{a, min} [mm]	207	C [kN]	162
d _{a, max} [mm]	211	C ₀ [kN]	299
d _{b, min} [mm]	215	C _u [kN]	32.3
d _{c, min} [mm]	221	n _{th} [min ⁻¹]	2012
D _{a, max} [mm]	243	n _g [min ⁻¹]	3100
r _{a, max} [mm]	1.5		