

# NJ28/750M3

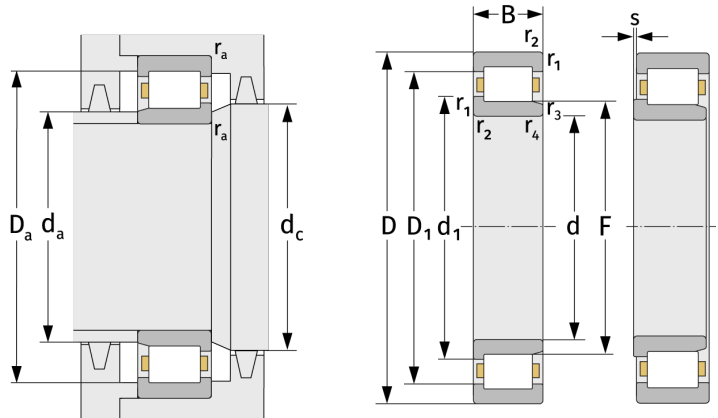
Cylindrical Roller Bearings (single row, with cage)



## Details:

### Main dimensions

d [mm]	750	d <sub>1</sub> [mm]	≈ 811
D [mm]	920	D <sub>1</sub> [mm]	≈ 859
B [mm]	100	r <sub>1,2</sub> [mm]	5
Weight [kg]	≈ 148	r <sub>3,4</sub> [mm]	5
F [mm]	795	s [mm]	10.8



Mating dimensions		Calculation data	
d <sub>a, min</sub> [mm]	768	C [kN]	2150
d <sub>a, max</sub> [mm]	790	C <sub>0</sub> [kN]	5800
d <sub>b, min</sub> [mm]	800	C <sub>u</sub> [kN]	428
d <sub>c, min</sub> [mm]	816	n <sub>th</sub> [min <sup>-1</sup> ]	351
D <sub>a, max</sub> [mm]	902	n <sub>g</sub> [min <sup>-1</sup> ]	680
r <sub>a, max</sub> [mm]	4		