

NJ2836M3

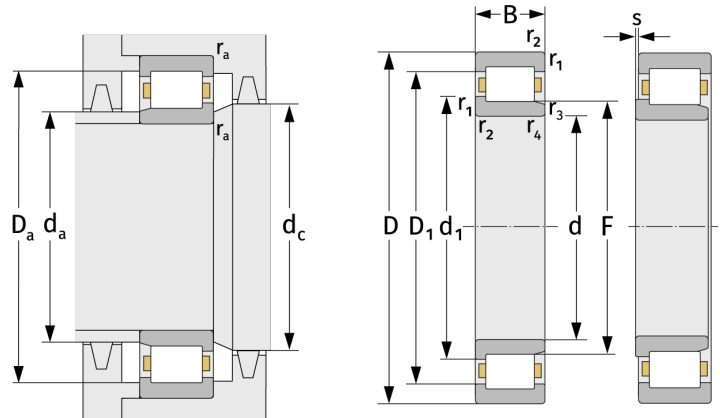
Cylindrical Roller Bearings (single row, with cage)



Details:

Main dimensions

d [mm]	180	d_1 [mm]	≈ 196.4
D [mm]	225	D_1 [mm]	≈ 209.6
B [mm]	27	$r_{1,2}$ [mm]	1.1
Weight [kg]	≈ 2.55	$r_{3,4}$ [mm]	0.6
F [mm]	192	s [mm]	3.6



Mating dimensions		Calculation data	
$d_{a, \min}$ [mm]	186	C [kN]	175
$d_{a, \max}$ [mm]	190	C_0 [kN]	358
$d_{b, \min}$ [mm]	194	C_u [kN]	39.8
$d_{c, \min}$ [mm]	199	n_{th} [min^{-1}]	2091
$D_{a, \max}$ [mm]	219	n_g [min^{-1}]	3500
$r_{a, \max}$ [mm]	1		