

NJ2928E.M3

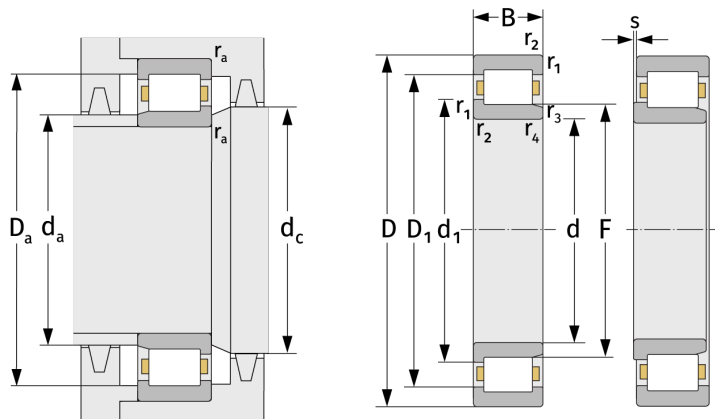
Cylindrical Roller Bearings (single row, with cage)



Details:

Main dimensions

d [mm]	140	d ₁ [mm]	≈ 157.6
D [mm]	190	D ₁ [mm]	≈ 174.4
B [mm]	30	r _{1,2} [mm]	1.5
Weight [kg]	≈ 2.51	r _{3,4} [mm]	1.1
F [mm]	152	s [mm]	2



Mating dimensions		Calculation data	
d _{a, min} [mm]	147	C [kN]	198
d _{a, max} [mm]	149	C ₀ [kN]	329
d _{b, min} [mm]	155	C _u [kN]	38.7
d _{c, min} [mm]	160	n _{th} [min ⁻¹]	2738
D _{a, max} [mm]	183	n _g [min ⁻¹]	4300
r _{a, max} [mm]	1.5		