

NJ3013M3

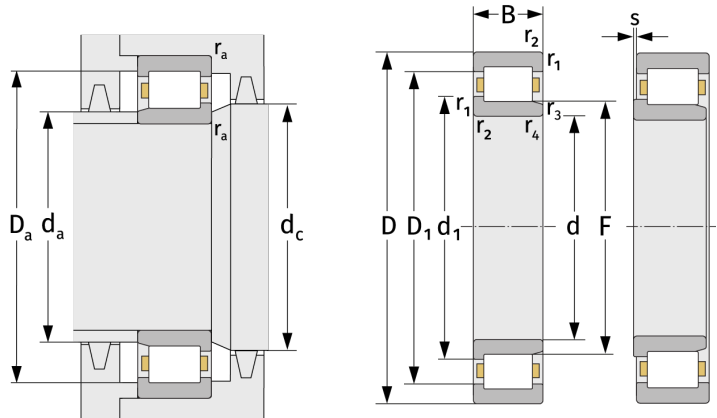
Cylindrical Roller Bearings (single row, with cage)



Details:

Main dimensions

d [mm]	65	D ₁ [mm]	≈ 87.3
D [mm]	100	r _{1,2} [mm]	1.1
B [mm]	26	r _{3,4} [mm]	1
F [mm]	74.5	s [mm]	3
d ₁ [mm]	≈ 77.7		



Mating dimensions

d _{a,min} [mm]	71
d _{a,max} [mm]	73
d _{b,min} [mm]	76
d _{c,min} [mm]	79
D _{a,max} [mm]	94
r _{a,max} [mm]	1

Calculation data

C [kN]	70.3
C ₀ [kN]	102
C _u [kN]	13.3
n _{th} [min ⁻¹]	6030
n _g [min ⁻¹]	8900