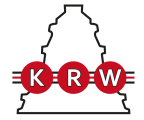


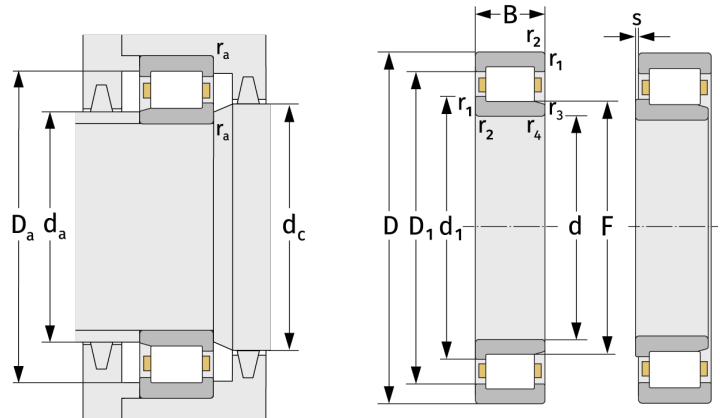
NJ3036M3

Cylindrical Roller Bearings (single row, with cage)



Details:

Main dimensions			
d [mm]	180	d ₁ [mm]	≈ 215
D [mm]	280	D ₁ [mm]	≈ 245
B [mm]	74	r _{1,2} [mm]	2.1
Weight [kg]	≈ 17.9	r _{3,4} [mm]	2.1
F [mm]	205	s [mm]	7



Mating dimensions		Calculation data	
d _{a, min} [mm]	190.2	C [kN]	685
d _{a, max} [mm]	202	C ₀ [kN]	1190
d _{b, min} [mm]	208	C _u [kN]	127
d _{c, min} [mm]	218	n _{th} [min ⁻¹]	1879
D _{a, max} [mm]	269.8	n _g [min ⁻¹]	3100
r _{a, max} [mm]	2.1		